

9

8

7

6

5

4

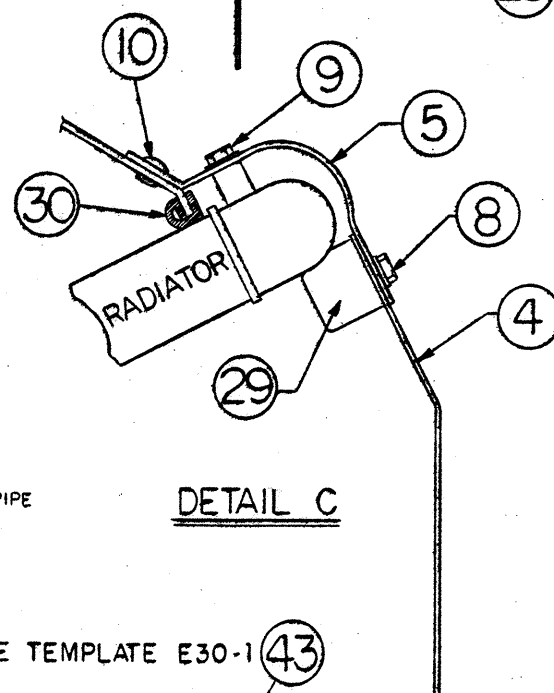
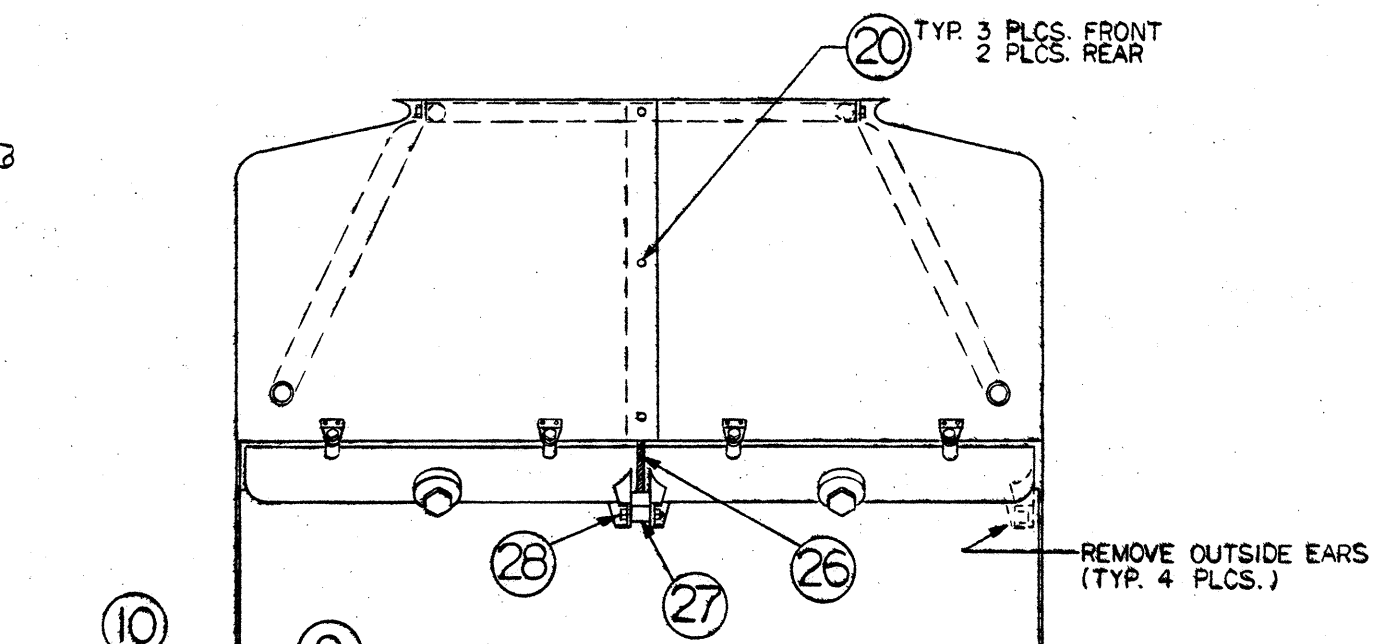
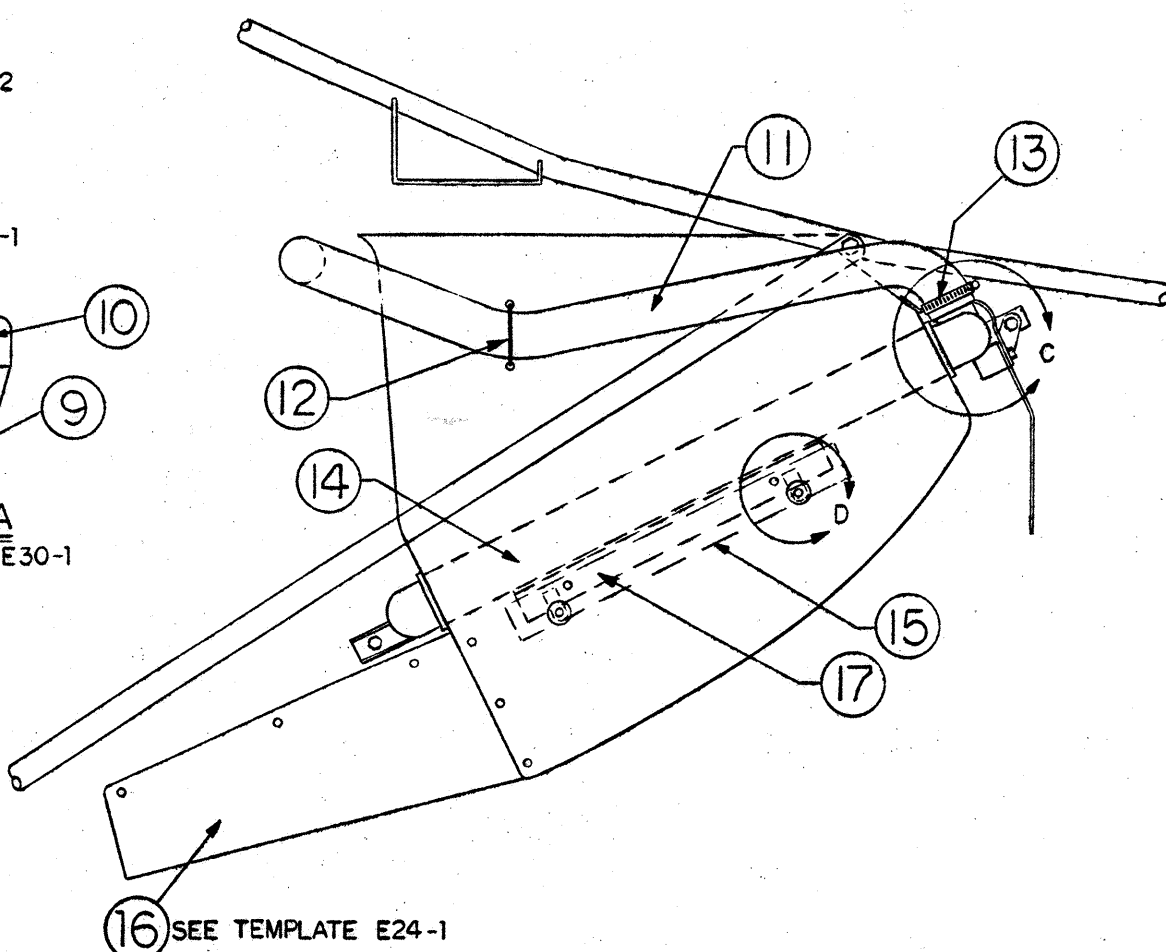
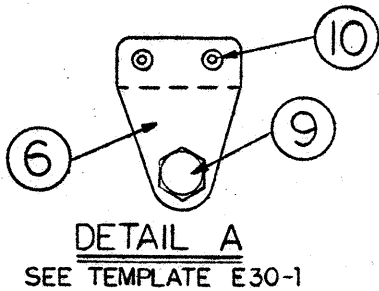
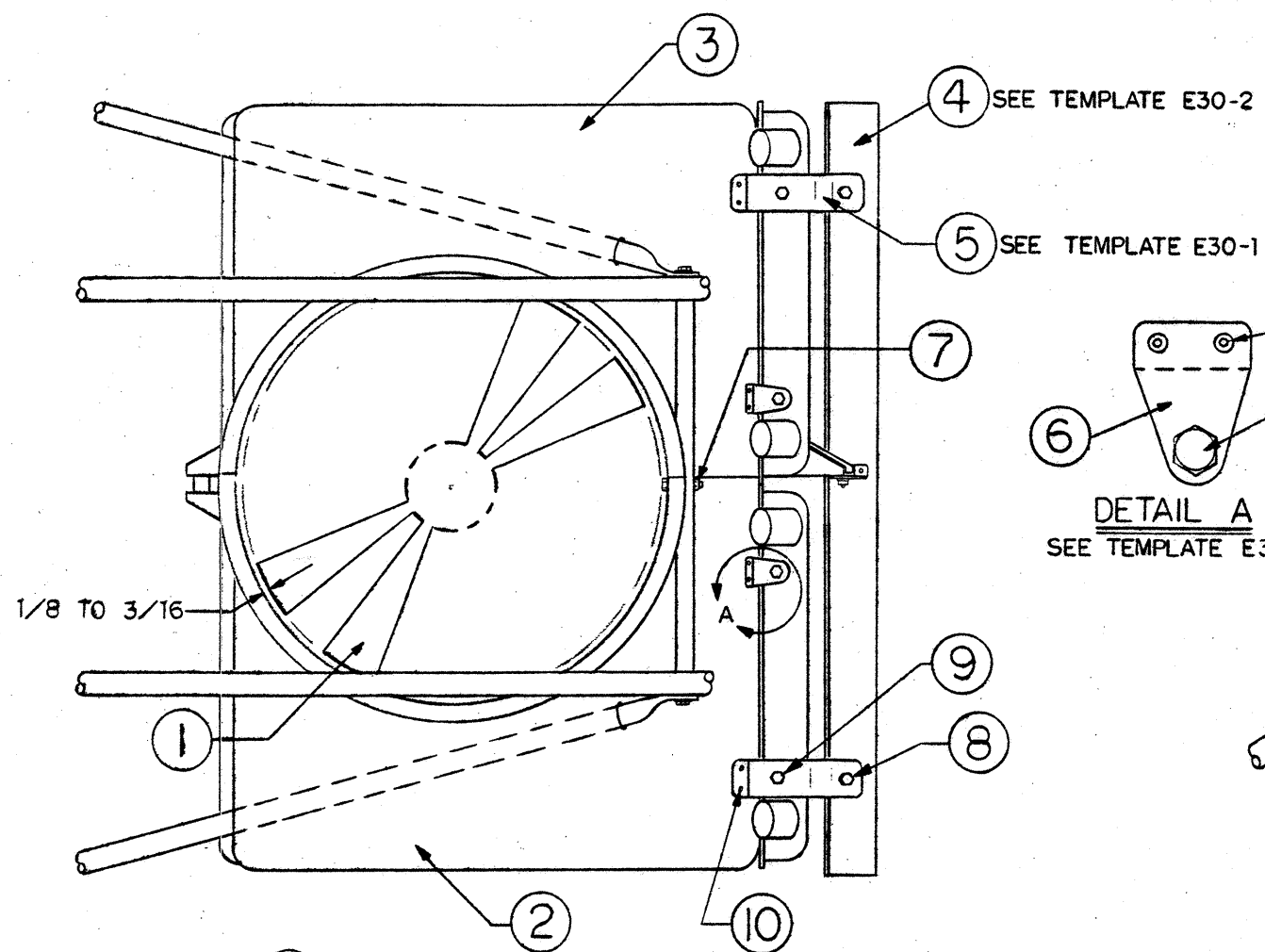
3

2

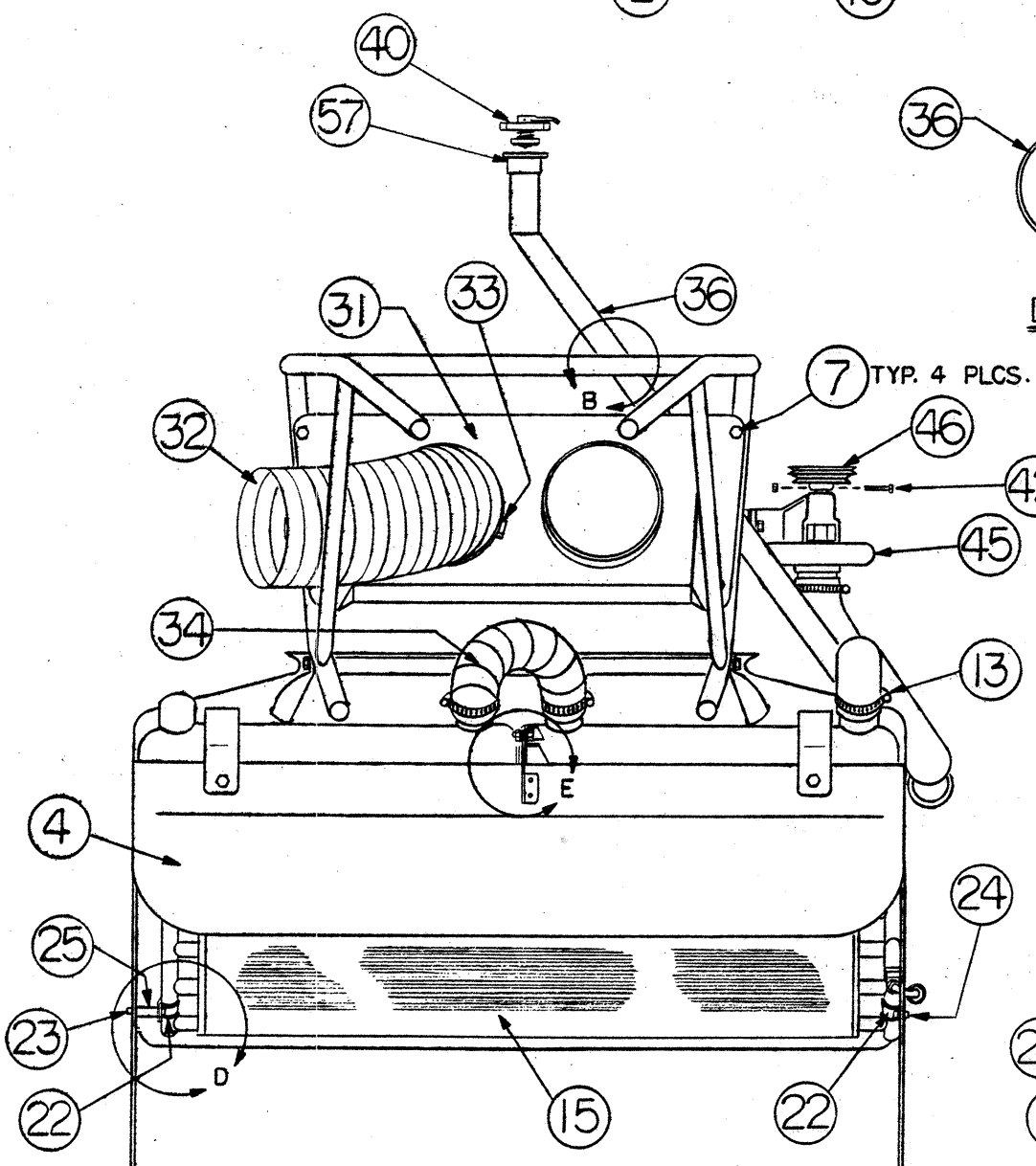
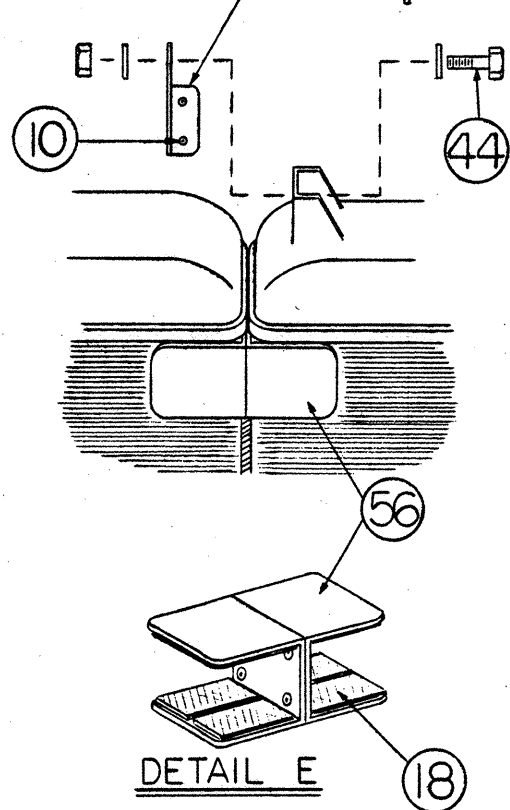
TOP VIEW

PILOT SIDE VIEW

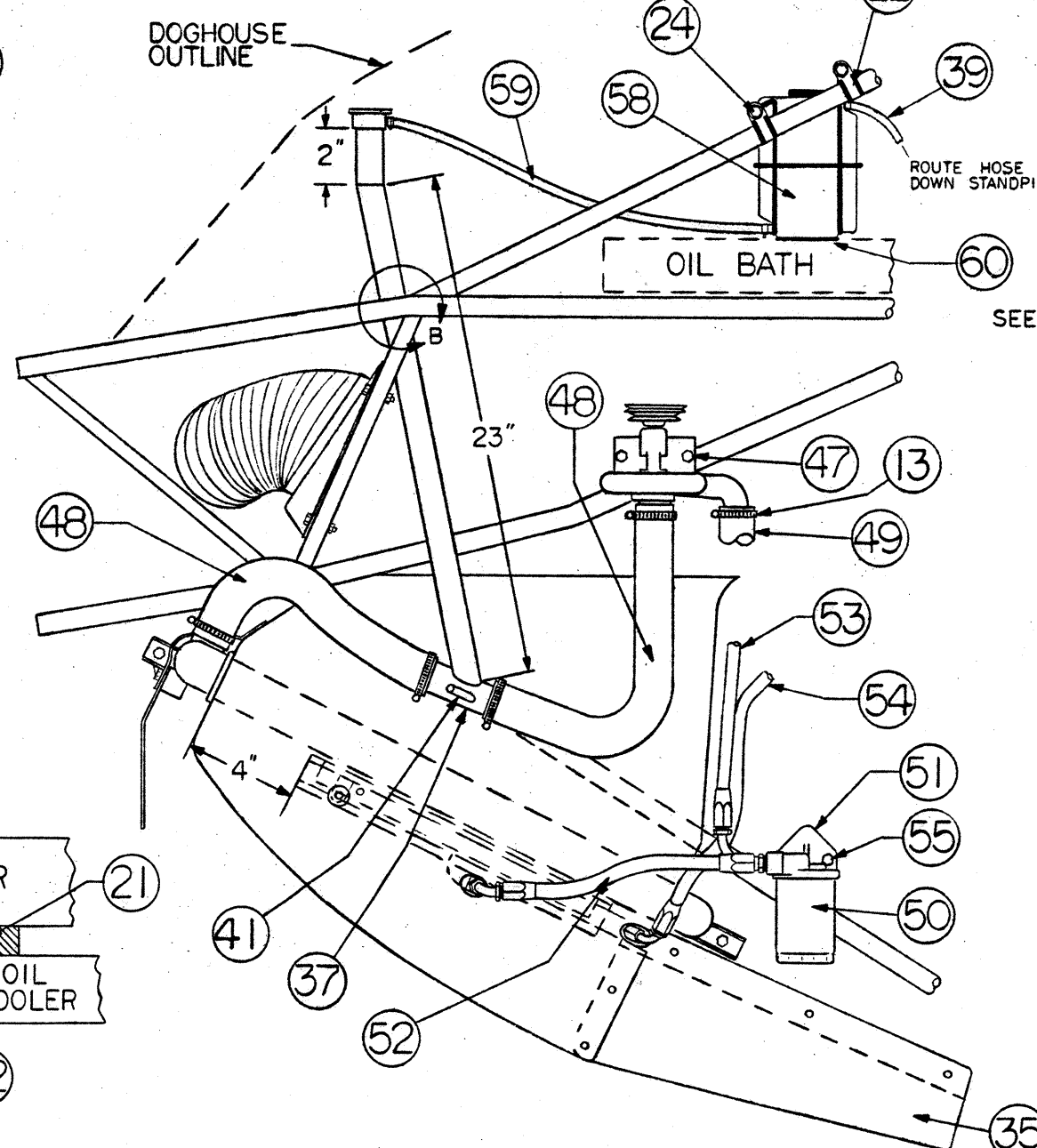
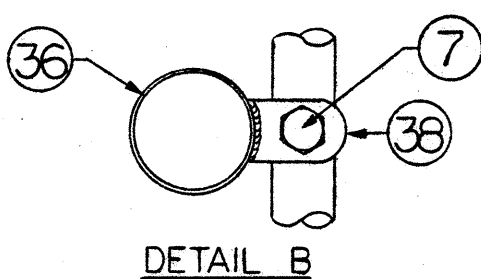
FRONT VIEW



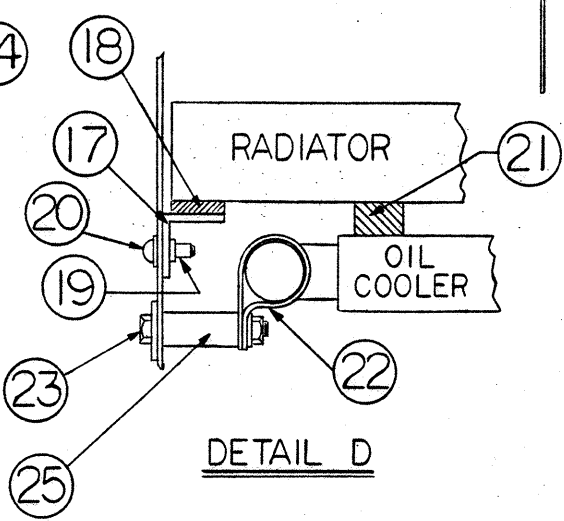
SEE TEMPLATE E30-1



REAR VIEW



PASSENGER SIDE VIEW



REF. NO.	PART NO.	PART NAME	QTY.
1.	E23-7141	COOLING FAN	1
2.	E30-7101	FAN SHROUD (PILOT SIDE)	1
3.	E30-7111	FAN SHROUD (PASSENGER SIDE)	1
4.	E30-3160	REAR SHIELD .050 ALUM.	1
5.	E30-3170	SHIELD MOUNT STRAP .050 ALUM.	2
6.	E30-3190	BRACKET .050 ALUM. (FROM E30-3170)	6
7.	E00-2307	BOLT 3/16 X 1-3/8	6
8.	E00-2300	BOLT 3/16 X 1/2	2
9.	E00-2900	BOLT 6 X 10 HM.	2
10.	E00-6200	ALUM. CSK. POP RIVETS 3/32 X 1/8	18
11.	E34-1221	RADIATOR HOSE	1
12.	E00-9208	8" PLASTIC WIRE TIES	12
13.	E00-9028	HOSE CLAMP #28	10
14.	E30-1160	RADIATOR	2
15.	E28-1151	OIL COOLER ASSY.	1
16.	E24-9820	SHIELDING (PILOT SIDE)	1
17.	E30-3101	ALUMINUM MOUNTING ANGLE	2
18.	E30-3180	RUBBER STRIP (36" SUPPLIED)	1
19.	E00-7000	8-32 NUT PLATE	9
20.	E00-1200	8-32 X 7/16 PHILLIP HEAD SCREW	9
21.	E28-6170	RUBBER STRIP	4
22.	E00-9114	ADEL CLAMP 7/8	6
23.	E00-2309	BOLT 3/16 X 1-7/8	2
24.	E00-2301	BOLT 3/16 X 5/8	4
25.	E28-6150	ALUMINUM SPACER 1-1/4" LONG	2
26.	E30-1190	FOAM STRIP	1
27.	E30-6100	ALUMINUM SPACER 9/16" LONG	1
28.	E00-2406	BOLT 1/4 X 1-1/8	1
29.	E30-1200	FOAM STRIP-ADHESIVE BACK	1
30.	E30-1180	RUBBER CHAPING STRIP	1
31.	E32-7190	FRESH AIR COLLECTOR (FIBERGLASS)	1
32.	E32-1281	5" DIAMETER FLEX HOSE	2
33.	E00-9080	HOSE CLAMP #80	4
34.	E34-1280	RADIATOR HOSE	1
35.	E24-9821	SHIELDING (PASSENGER SIDE)	1
36.	E34-3140	STANDPIPE-LONG TUBE	1
37.	E34-3141	STANDPIPE-SHORT TUBE	1
38.	E34-3150	STEEL STRAP	1
39.	E34-1150	OVERFLOW HOSE	1
40.	E34-1180	RADIATOR CAP	1
41.	E34-1210	CARB. HEAT RETURN TUBE-1/2"	1
42.	E00-2308	BOLT 3/16 X 1-5/8	1
43.	E30-1230	BRACKET (MAKE FROM E30-3170)	1
44.	E00-2400	BOLT 1/4 X 5/8	1
45.	E29-1000	WATER PUMP ASSY.	1
46.	E29-5100	PULLEY	1
47.	E00-2507	BOLT 5/16 X 1	2
48.	E34-1200	RADIATOR HOSE (CUT INTO 2 PCS.)	1
49.	E34-1192	RADIATOR HOSE	1
50.	E28-1110	OIL FILTER	1
51.	E28-1121	OIL FILTER MOUNT ASSY.	1
52.	E28-6141	HOSE-OIL COOLER TO OIL FILTER	1
53.	E28-6121	HOSE-OIL FILTER TO OIL GALLEY	1
54.	E28-6132	HOSE-OIL PUMP TO OIL COOLER	1
55.	E00-2505	BOLT 5/16 X 7/8	2
56.	E30-3110	RADIATOR JOINER BRACKET	1
57.	E34-1180	FILLER NECK	1
58.	E34-4000	OVERFLOW TANK	1
59.	E34-4020	CLEAR HOSE	1
60.	E34-4030	RUBBER STRIP (12" SUPPLIED)	1

ROTORWAY INTERNATIONAL PHOENIX, ARIZONA

SCALE: NONE APPROVED BY: DRAWN BY WAR

DATE: 2-1-91 REVISED 8-28-91

FAN SHROUD, RADIATOR, OIL COOLER AND STAND PIPE

DRAWING NUMBER E30-2000-2

8-26-91 REVISION 2: ADD COOLANT OVERFLOW TANK 59  
5-8-91 REVISION 1: ADD RADIATOR JOINER BRACKET 60